

## 产品介绍 Product Introduction



### ZB-C系列加强型熔体泵:

ZB-C系列加强型熔体泵主要用于聚物流层中的中高粘度介质的平稳增压输送。加热方式主要为电加热。适用于PS, PP, PET, PVC, PC, PMMA, PA等工艺中。

### ZB-C Series Reinforced Melt Pump:

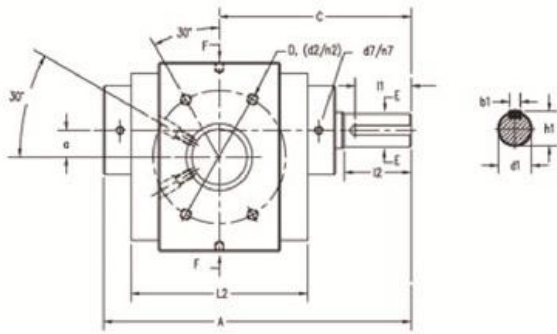
ZB-C series reinforced melt pump is mainly used for stabilizing, pressurization and transportation of medium or high viscosity medium from the polymer flow layer. This series of melt pump adopts electrical heating, and applies to PS, PP, PET, PVC, PC, PMMA, PA, etc.

### 技术参数

泵体: 高温工具钢, 铬镍合金钢, 钛钽合金  
齿轮: 渗氮钢, 特种材料及耐磨涂层  
齿形: 为直齿, 斜齿或人字齿  
滑动轴承: 高温工具钢, 碳化钨, 特种材料及耐磨涂层  
轴封: 螺旋密封  
加热系统: 电加热棒加热  
规格/流量范围: 0.5CC - 3200CC

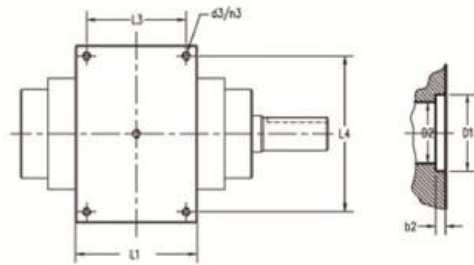
### Technical Parameter

Material for Melt Pump Body: High Temperature Tool Steel, Chromium-nickel Steel or Titanium Tantalum Alloy  
Material for Gear: High Temperature Tool Steel, Nitrided Steel, Special Materials or Abrasion-resistant Coating  
Gear tooth types: Straight tooth, Helical or Herringbone  
Material for Sliding Bearing: High Temperature Tool Steel, Wolfram Carbide, Special Materials or Abrasion-resistant Coating  
Shaft Sealing: Spiral Sealing  
Heating System: Electrical Rod Heating  
Model/Volume Range: 0.5CC - 3200CC



### 操作参数

粘度:  $\leq 40000 \text{ Pa}\cdot\text{s}$   
 温度:  $\leq 400^\circ\text{C}(750^\circ\text{F})$   
 清洗温度:  $\leq 450^\circ\text{C}(850^\circ\text{F})$   
 出口压力:  $\leq 40\text{Mpa}(6,000\text{psi})$



### Operating Parameter

Viscosity:  $\leq 40000 \text{ Pa}\cdot\text{s}$   
 Working Temperature:  $\leq 400^\circ \text{ C}(750^\circ \text{ F})$   
 Cleaning Temperature:  $\leq 450^\circ \text{ C}(850^\circ \text{ F})$   
 Outlet Pressure:  $40\text{MPa}(6000\text{psi})$

